

# BLUE SERIES



## BLUE SERIES 821

SIZE: 59" X 59" X 90"

### Features

Computer control w/remote

Overhead LED lighting

Steam w/temperature display

Back panel LED lighting

Overhead rain shower

FM radio and Bluetooth audio

Hand-held shower

Vent fan

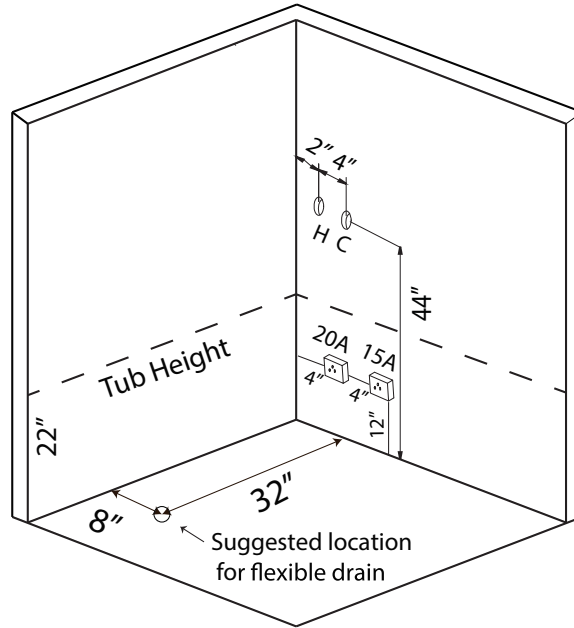
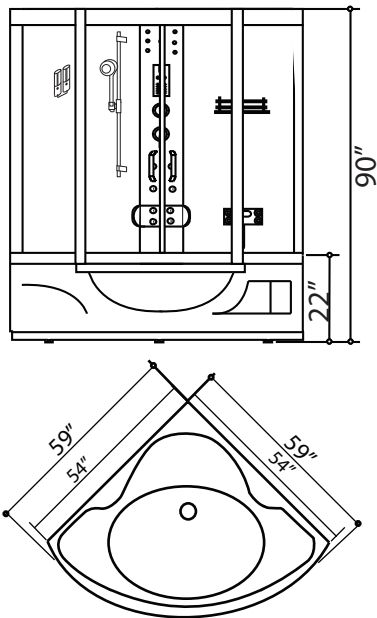
Foot massager

Alarm

Back jets

Hydromassage tub

# BLUE SERIES



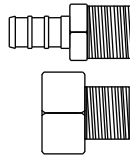
**821**

120v 20A GFCI breaker for shower  
 120v 15A GFCI breaker for tub  
 1/2" MIP for hot and cold water lines  
 1 1/2" Drain

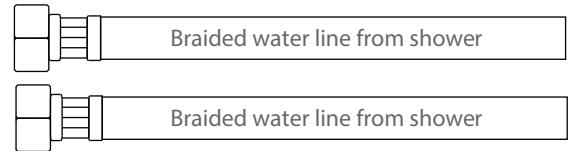
(Power and water rough-ins may be relocated on opposite walls)

## Water Line Connection

Pex Pipe → \*1/2" PEX x 1/2" MPT Adapter  
 Washing machine box → \*3/4" Hose x 1/2" MPT Adapter



OR



## Electrical Connection

This steam shower requires two dedicated 120v GFCI protected circuits. One 20A 120v, using #12/2 wire for steam, and one 15A 120v, using #14/2 wire for the massage tub. The shower should be hardwired into 4"x4" junction boxes installed at the approximate locations shown.

**\*(Connecting this shower to 240v may cause damage and void the warranty)**

## Flexible Drain Hose Connection

**\*(Connections not supplied)**

