

# RAIN SERIES



## RAIN SERIES DA333F8

SIZE: 59" X 59" X 89"

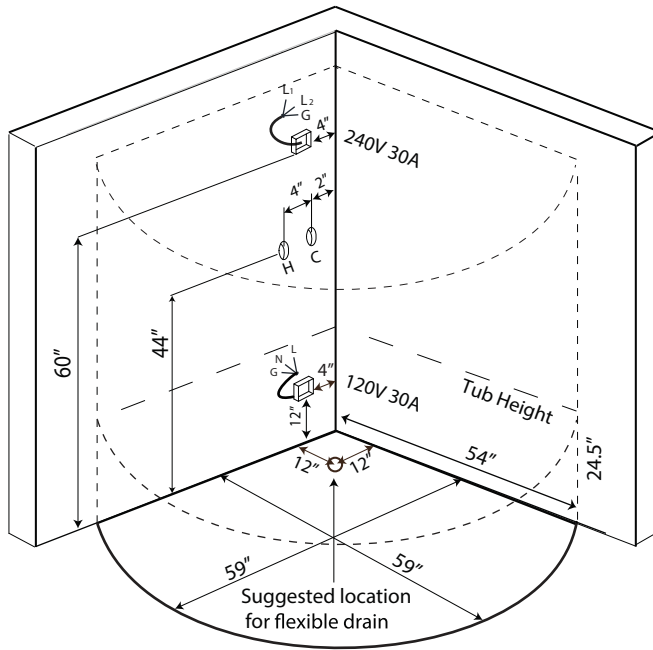
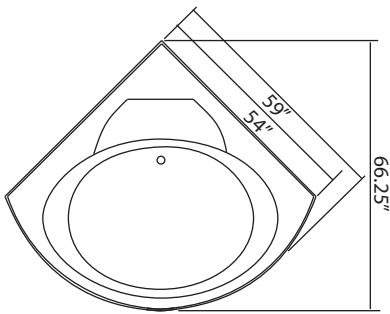
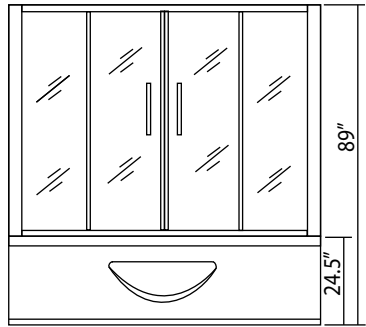
### Features

Computer control	Overhead LED lighting
Steam w/temperature display	LED chromatherapy lighting
Overhead rain shower	Aromatherapy port
Hand-held shower	FM and Bluetooth audio
Back jets	Vent fan and alarm
Built-in seating	Steam generator cleaning function
Hydromassage jets	Colored LED tub lighting
Constant heat function	Water pump protection feature

### Options

Available in black or white back panels

# RAIN SERIES



## DA333F8

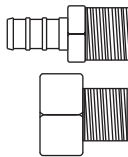
240v 30A GFCI breaker for shower  
 120v 30A GFCI breaker for tub  
 1/2" MIP For hot and cold water lines  
 1 1/2" Drain

(240v power and water rough-ins may be relocated on opposite walls)

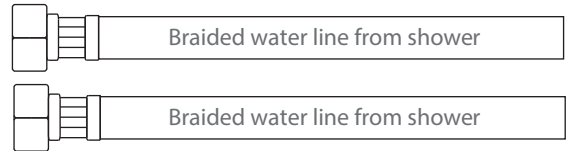
### Water Line Connection

- Pex Pipe → \*1/2" PEX x 1/2" MPT Adapter
- Washing machine box → \*3/4" Hose x 1/2" MPT Adapter

*\*(Connections not supplied)*

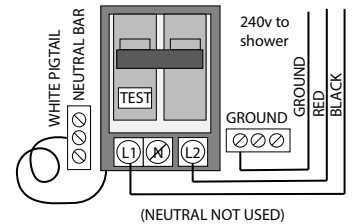


OR



### Electrical Connection

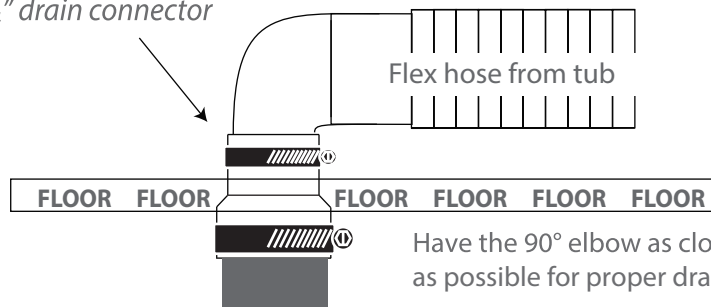
This steam shower requires two dedicated circuits. One 240v 30A GFCI circuit, using #10/2 wire for steam, and one 120v 30A GFCI circuit, using #10/2 wire for the massage tub. The shower should be hardwired to the panel using 4"x4" junction boxes installed at the approximate locations shown.



### Flexible Drain Hose Connection

*\*(Connections not supplied)*

\*1 1/2" x 1 1/4" drain connector



Have the 90° elbow as close to the floor as possible for proper drainage slope.