

RAIN SERIES



RAIN SERIES DZ962F8

SIZE: 47.5" X 47.5" X 89"

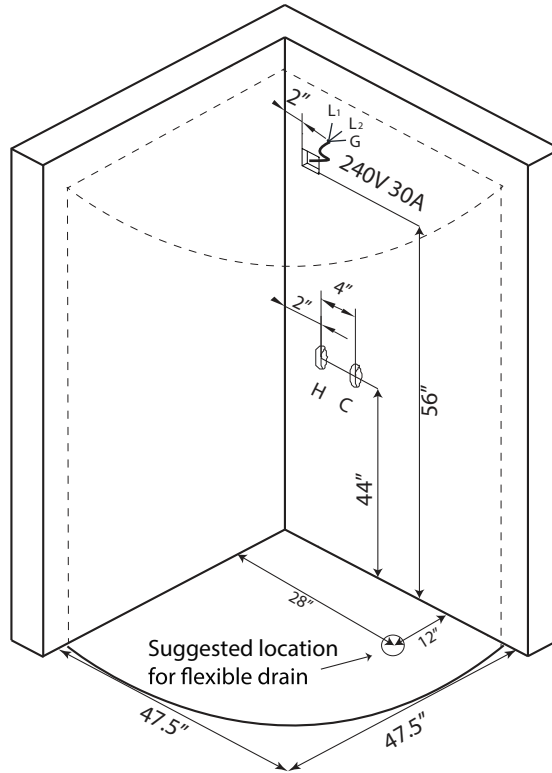
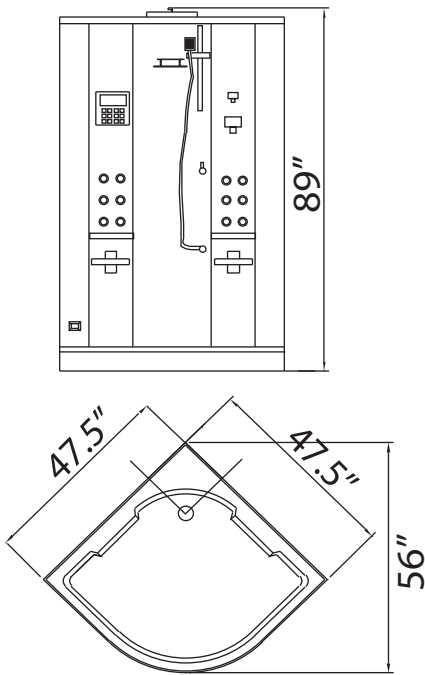
Features

Computer control	Overhead LED chromotherapy lighting
Steam w/temperature display	Aromatherapy port
Overhead rain shower	FM radio and Bluetooth audio
Hand-held shower	Vent fan and alarm
Back jets	Steam generator cleaning function
Wood/chrome stools	Decorative floorboards

Options

Available in black or white

RAIN SERIES

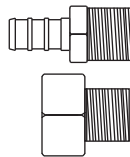


DZ962F8

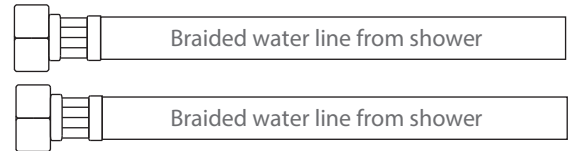
240v 30A GFCI Breaker
 1/2" MIP for hot and cold water lines
 1 1/2" Drain

Water Line Connection

- Pex Pipe → *1/2" PEX x 1/2" MPT Adapter
*(Connections not supplied)
- Washing machine box → *3/4" Hose x 1/2" MPT Adapter

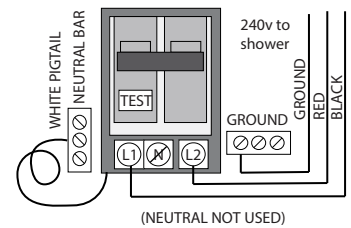


OR



Electrical Connection

This steam shower requires one dedicated 240v 30A GFCI circuit, using #10/2 wire. The shower should be hardwired into this circuit using a 4"x4" junction box installed at the approximate location shown.



Flexible Drain Hose Connection

