

LEGEND SERIES



LEGEND SERIES BU610

SIZE: 54.5" X 54.5" X 87.5"

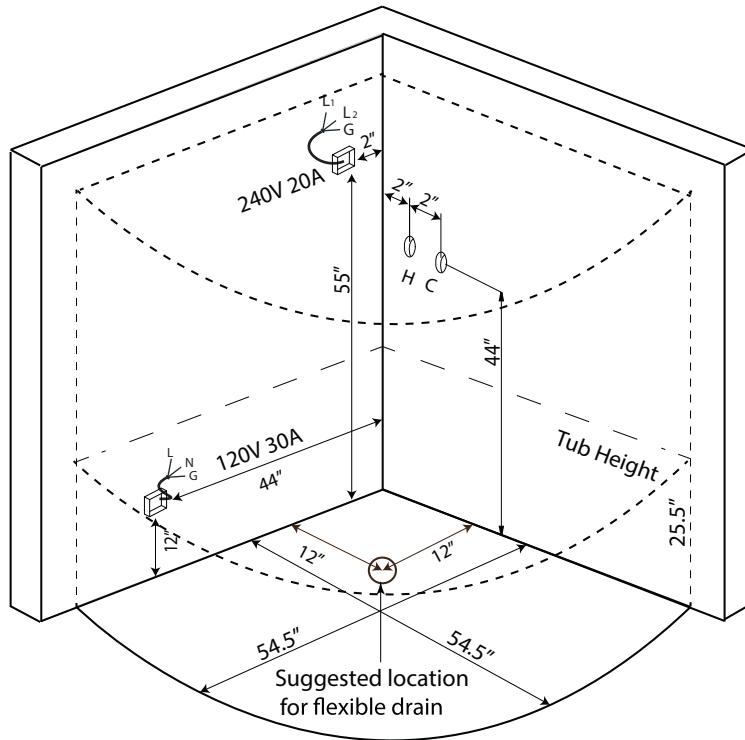
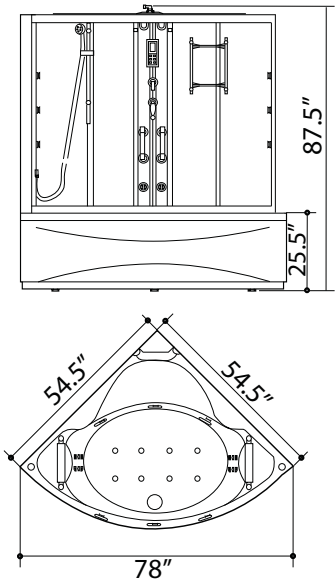
Features

Computer control	Overhead LED lighting
Steam w/temperature display	LED chromatherapy lighting
Overhead rain shower	Aromatherapy port
Hand-held shower	FM and Bluetooth audio
Back jets/side jets	Vent fan and alarm
Built-in seating	Steam generator cleaning function
Head rests	Water pump protection feature
Hydromassage jets	Air jets
Constant heat function	Pipe rinse system
Colored LED tub lighting	Pipe drain system



Products may not be exactly as shown. See store for details.

LEGEND SERIES



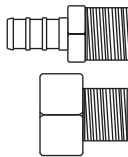
BU610

240v 20A GFCI breaker for shower
120v 30A GFCI breaker for tub
1/2" MIP for hot and cold water lines
1 1/2" Drain

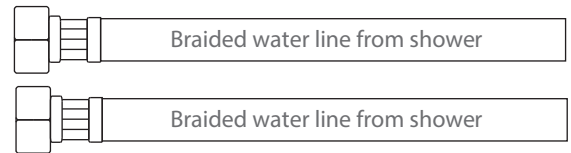
(240v power and water rough-ins may be relocated on opposite walls)

Water Line Connection

Pex Pipe → *1/2" PEX x 1/2" MPT Adapter
Washing machine box → *3/4" Hose x 1/2" MPT Adapter

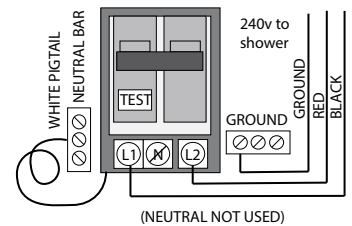


OR



Electrical Connection

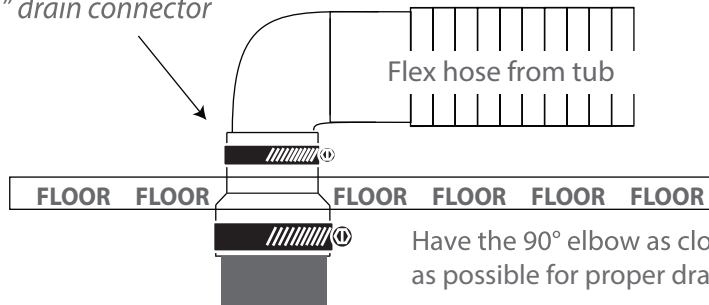
This steam shower requires two dedicated circuits. One 240v 20A GFCI circuit, using #12/2 wire for steam, and one 120v 30A GFCI circuit, using #10/2 wire for the massage tub. The shower should be hardwired to the panel using 4"x4" junction boxes installed at the approximate locations shown.



Flexible Drain Hose Connection

*(Connections not supplied)

*1 1/2" x 1 1/4" drain connector



Have the 90° elbow as close to the floor as possible for proper drainage slope.